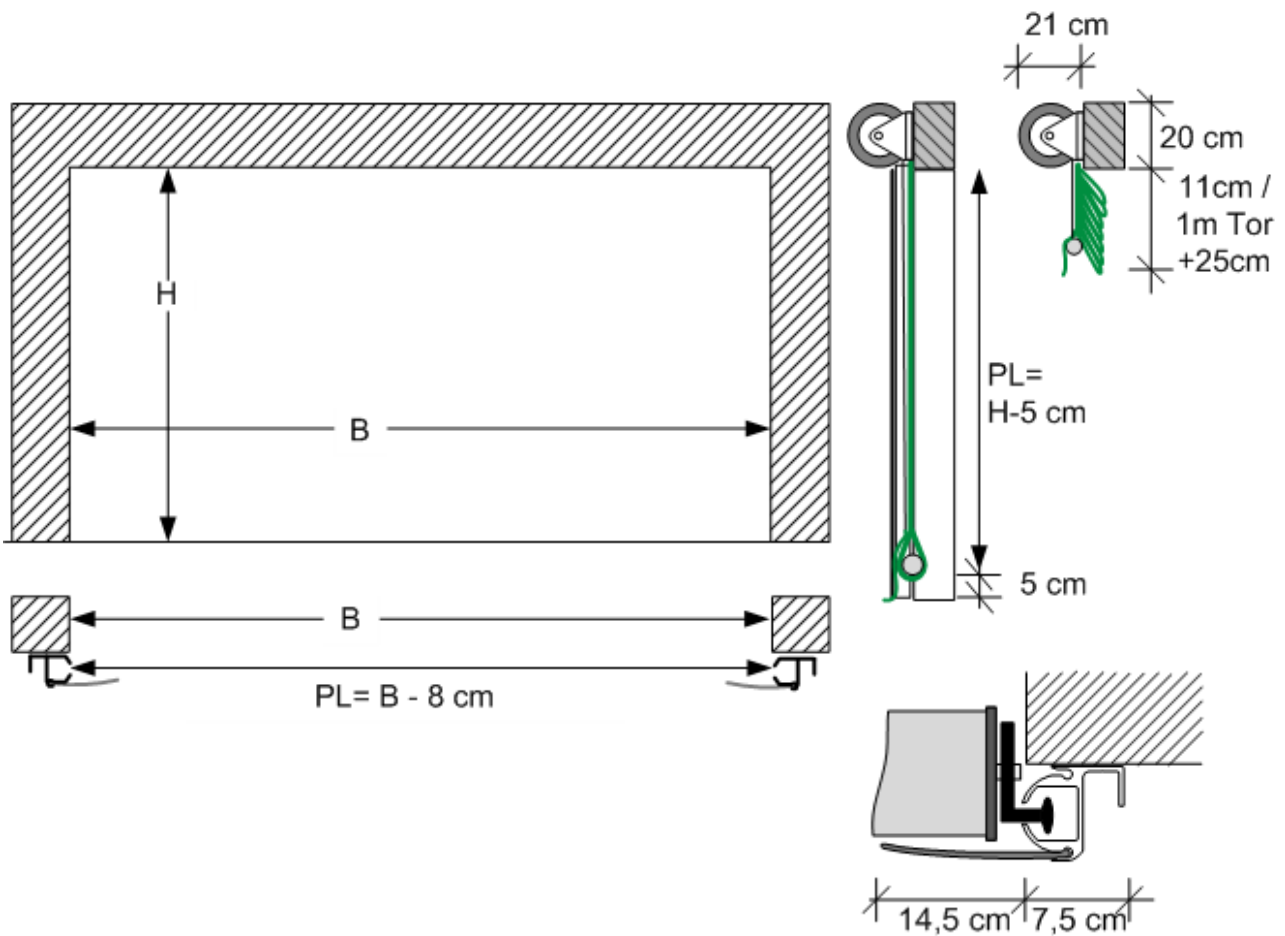
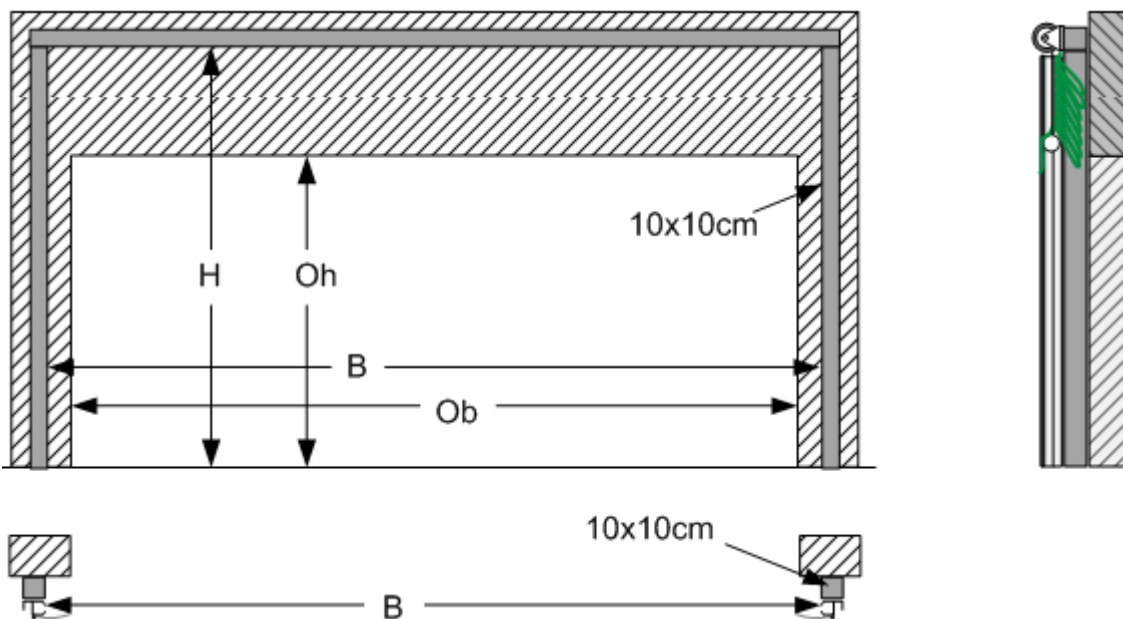


Afmetingen XXL Vouwpoort



Alternatief: wand-breed $B = Ob + 29 \text{ cm}$
 wand-hoog $H = Oh + (11\text{cm}/ 1\text{m hoog} +25 \text{ cm})$



$B = \text{___} \text{ m}$

$H = \text{___} \text{ m}$